

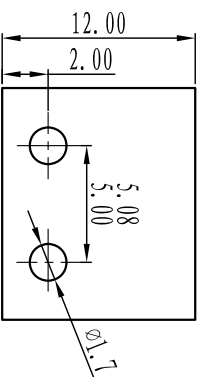
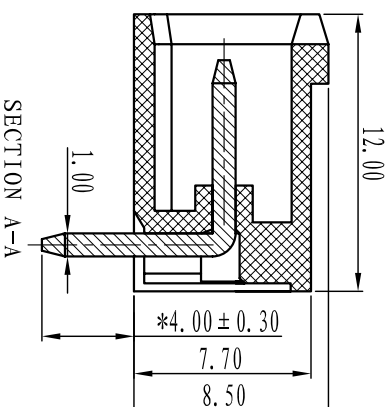
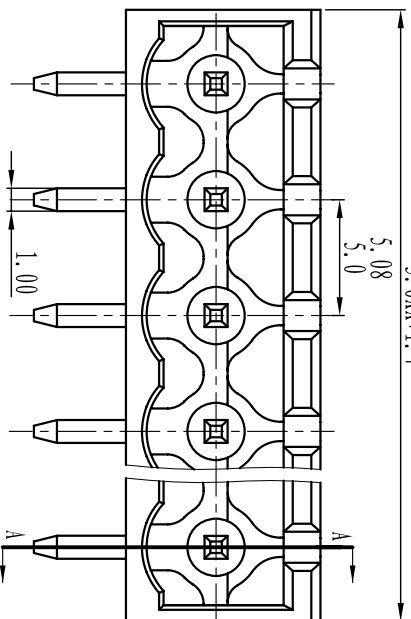


# 慈溪市万捷电子有限公司

## CIXI WANJIE ELECTRONIC CO., LTD

产品规格书  
product specification

5.08XX+1.4  
5.0XX+1.4



### 电 气 性 能 / Electrical

参考标准 / Standard: UL IEC  
 额定电压 / Rated voltage: 300V 320V  
 额定电流 / Rated current: 15A 20A  
 接触电阻 / Contact resistance: 20mΩ

### 机 械 性 能 / Mechanical

耐电压 / Withstanding voltage: AC2000V/1Min  
 绝缘电阻 / Insulation resistance: 500MΩ / DC500V  
 温度范围 / Temp. Range: -40°C ~ +105°C  
 瞬间温度 / MAX Soldering: +250°C, for 5 Sec

### 尺 寸 / Dimensions

间距 / Pitch: 5.00mm, 5.08mm  
 极数 / Poles: 2P-24P

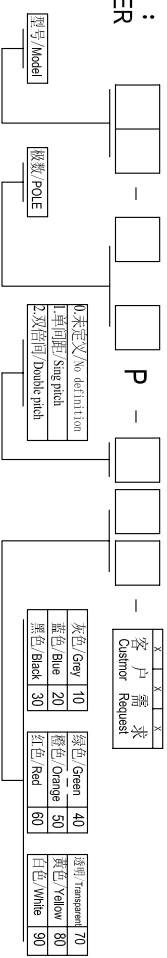
### 材 质 及 电 镀 / Material

塑 件 / Housing: PA66, UL94V-0  
 焊 针 / Pin header: Brass, Tin plated

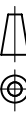
### TOLERANCES EXCEPT AS NOTED

	linear dimension	fillet	chamfer	short angle sid	≡	—	□	//	⊥
variable range	over 6 to 30	over 120 to 480	over 6 to 10	over 10 to 50	all to 5	over 5 to 30	over 30 to 120	over 120 to 120	
tolerance	±0.1	±0.2	±0.2	±0.5	±1	1°	30'	20'	10'

### 订 购 方 式 : HOW TO ORDER



单位 / UNITS mm 尺寸 / SIZE A4 比例 / SCALE



第一视角 / FIRST ANGLE PROJECTION



慈溪市万捷电子有限公司  
CIXI WANJIE ELECTRONIC CO., LTD

名称 / NAME

WJ2EDGR-C-XXP-1Y-00A