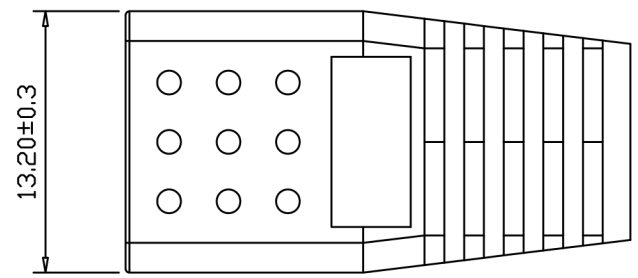
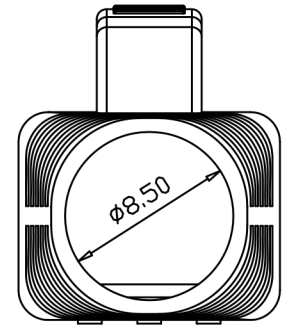
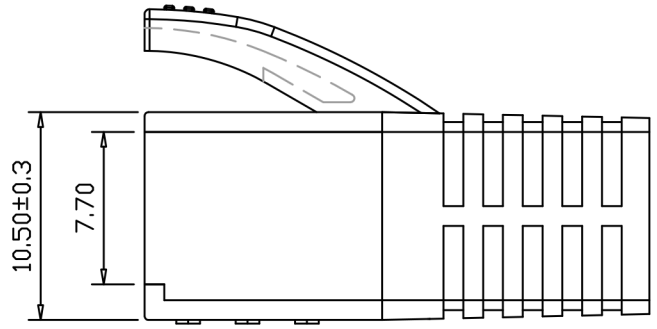
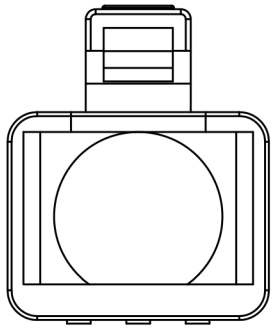
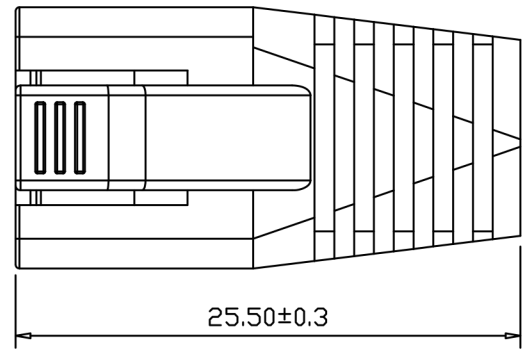


NO.	DATE	REVISION	REVISER	VERSION



APPROVED	J.S.Zhong	PVC		m/m	<b>BOOT FOR PLUG CAT.7/6A</b>	
CHECKED		MATERIAL	NAME	UNIT		±0.1
DRAWN		DWG NO.	PART NO.	WEIGHT	THIRD ANGLE PROJECTION	GENERAL TOLERANCE
DESIGNED	Y.Cheng	<b>BLUE COLOR</b>	<b>WT-6083-BL</b>	1:1		A/O
			MANUFACTURE	SCALE	SURFACE ROUGHNESS	VERSION