

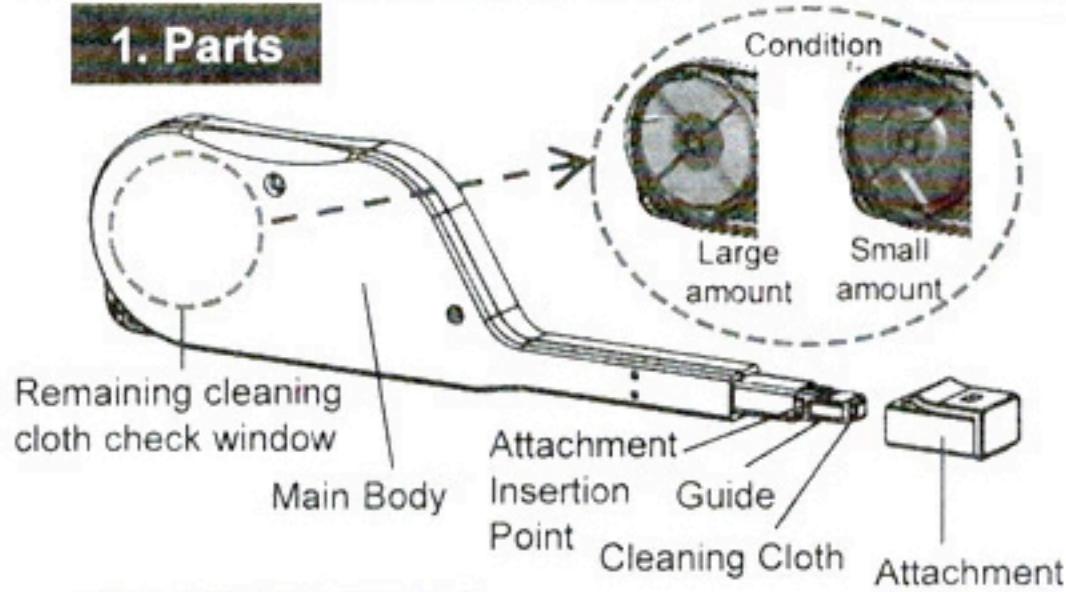


Optical Connector Cleaner User's Manual

This product is an optical connector cleaner designed for cleaning MPO·MTP® connector ferrule end face with a simple push action. Please read this user's manual carefully and follow its instructions in using this product.

 <p>Caution</p>	<ul style="list-style-type: none"> • This product is intended for cleaning MPO·MTP® connector ferrule end face. It is not for use in cleaning lens type optical ports (transceivers, etc.) or other applications. • When storing, carefully ensure that the included attachment is in place, after closing its lid, in order to protect the cleaning cloth. • Please check the amount of remaining cleaning cloth through the check window before use. • The guide will not move if the cleaning cloth is used up. 	 <p>Prohibited</p>	<ul style="list-style-type: none"> • Do not store in direct sunlight, and avoid hot and/or humid environments as the product may become deformed. • Do not disassemble this product. • Do not touch and/or pull out the cleaning cloth. The quality will deteriorate. • Do not use when you feel excessive force • Do not use for any purpose which has not been described in this manual. Products may be damaged.
---	--	--	--

1. Parts



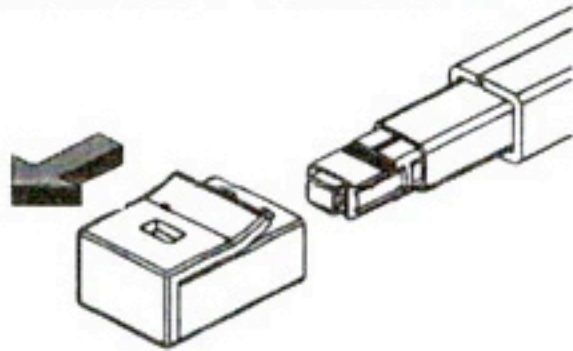
2. Specifications

Compatible Connectors	MPO Connectors MTP® Connectors
Compatible End Face	Flat and/or 8 degree, with both guide pins and no pin
# of Usages	600 times

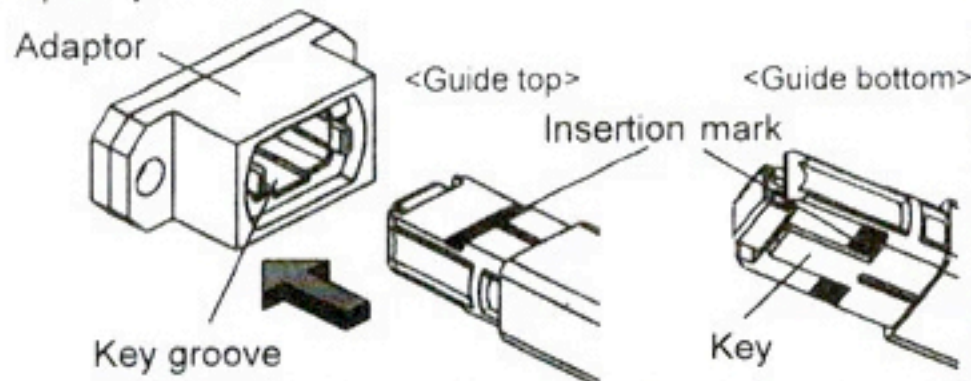
3. How to Use

● Cleaning a Connector in an Adaptor

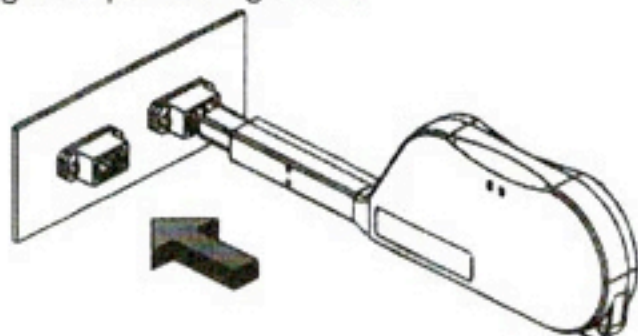
① Remove the attachment from the guide.



② Align the adaptor and the guide key. Insert the guide straight into the adaptor until the insertion mark is completely hidden.



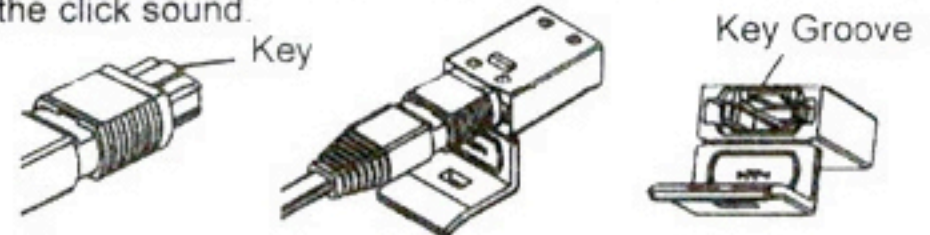
③ Push the main body straight into the adaptor. When you hear the click sound, the cleaning is completed. Stop pushing and pull straight out.



※ When pushing, do not apply excessive force or apply force in a different direction than indicated by the arrow.

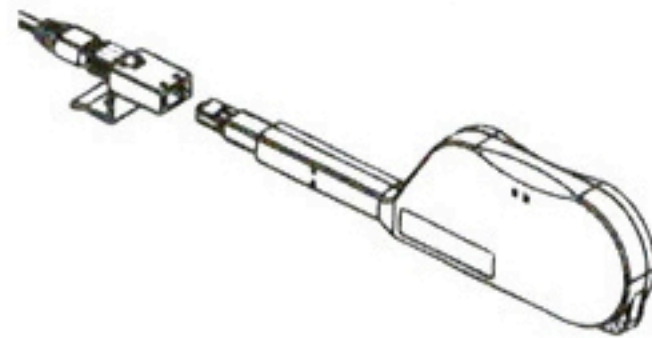
● Cleaning an Optical Connector Plug

① Remove the attachment from the Guide. Align the attachment and the optical connector plug key. Insert the plug straight into the attachment and push until you hear the click sound.

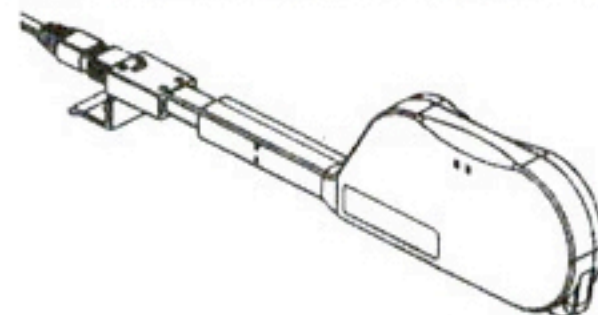


※ When pushing in, hold the attachment firmly between your fingers.

② Align the attachment and the guide key. Insert the guide straight into the attachment and push in until it reaches the attachment insertion point.



③ Insert the main body straight in to the Optical Connector Plug. When you hear the click sound, the cleaning is completed. Stop pushing and remove straight out.



※ When pushing, do not apply excessive force or apply force in a different direction than indicated by the arrow.