

Material

- Housing: Zinc Alloy, Nickel Plated
- Spring Wire: Phosphor bronze 0.35t, plated with 50u" gold at contact area over 60u" nickel undercoat
- PCB: FR4
- IDC Terminals: Phosphor bronze 0.5t, plated with Ni/Sn 60u"
- Wire Organizer : ABS UL94V-0 flame retardancy

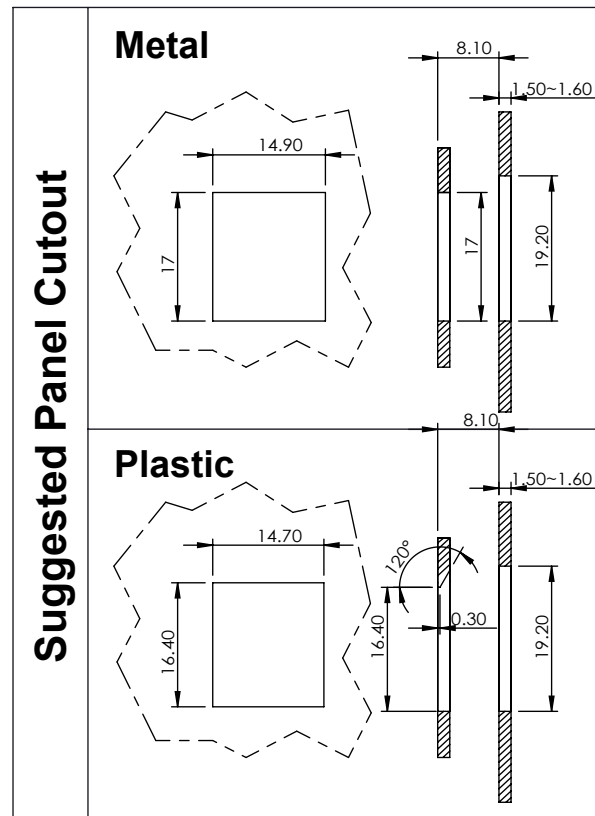
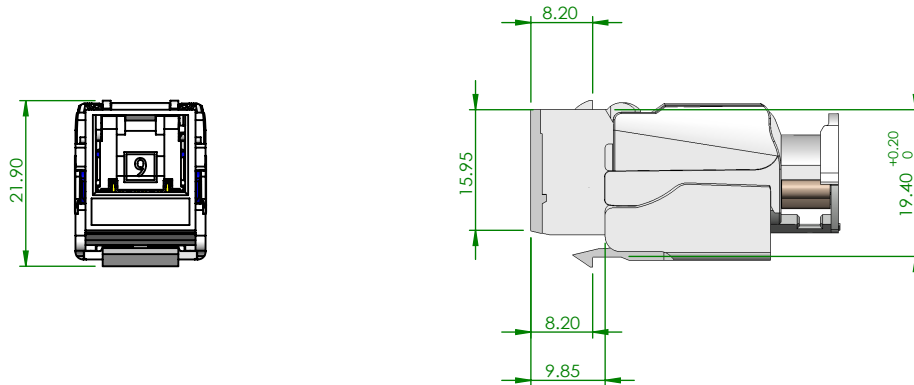
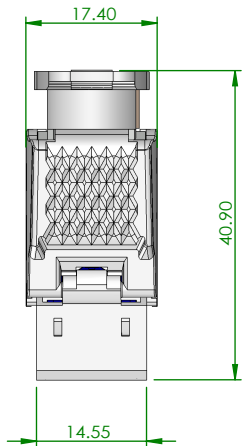
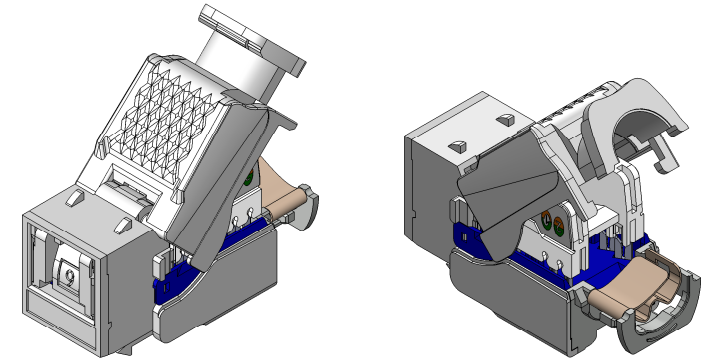
Wire Range

- Suits for: SFTP/FFTP/FUTP26AWG Stranded - 23AWG Solid
- Insulation Diameters: 0.8mm - 1.47mm
- Cable Diameters: 5mm - 9.9mm

Accessories

- Nylon Cable Tie: 1pc

RoHS



Intertek

ISO/IEC 11801 and ANSI/TIA-568-C.2
Category 6 Connecting Hardware

DRAWN BY					Nick Liu
APPROVED BY					Kevin Wu
DIMENSIONS ARE MM [IN]					
TOLERANCES:					
-20	-50	-150	150-	ANGLE	
±0.2	±0.4	±0.5	±1.5	±2°	

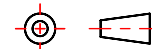
HCI Hsing Chau Industrial Co., Ltd.

Description
LKVASD Die-Cast Super C6 Shielded
Keystone Jack, with White Frame & Shutter

DWG NO. 3013ALKVASD6SWH REV.

REV.	DESCRIPTION	DATE

3rd Angle Projection



DATE 2018/09/19 SCALE 1:1 SHEET 1/8