

MATERIAL

Jack housing: High-impact PC resin, UL94V-0 rated
 Jack contacts: phosphor bronze C5210-EH flat wire, t=0.35 mm, 50µ" hard gold over 60µ" nickel undercoat on contact area

IDC plastic: High-impact PC resin, UL94V-0 rated
 IDC terminals: phosphor bronze C5191R-H, t=0.4 mm, 150µ" tin over 70µ" nickel undercoat

RoHS 2 compliant

PHYSICAL CHARACTERISTICS

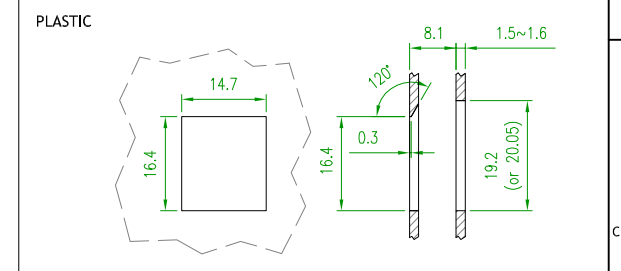
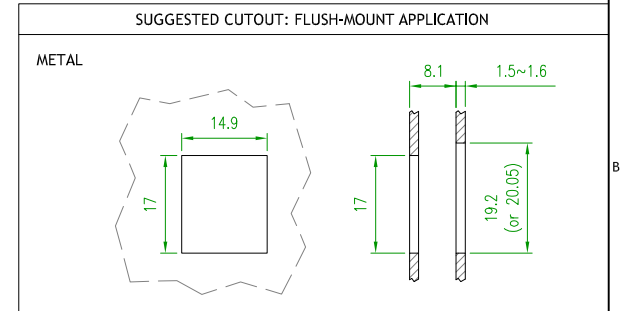
Suitable impact tool: 110/KRONE style punch down tool
 Insertion life: 750 mating cycles with FCC compliant 8P plug
 Contact force: 100 grams with FCC compliant 8P plug
 Plug retention force: 11 lbf min
 Durability: 200 termination cycles
 Contact compatibility: accommodates 22 to 24 AWG solid
 Operating temperature range: -10°C to 60°C
 Storage temperature range: -40°C to 68°C
 Humidity: 10%~90%RH

ELECTRICAL

Insulation resistance: 500 MΩ min.
 Dielectric withstanding voltage: 1000 V AC
 DC current rating: 1.5 Amps
 DC resistance: 0.1Ω max.
 Contact resistance: 20 mΩ max.

NOTE

Only accept RJ-45 8P8C plug



PIN ASSIGNMENTS		T568B	T568A
	1	WHITE/ORANGE	WHITE/GREEN
	2	ORANGE	GREEN
	3	WHITE/GREEN	WHITE/ORANGE
	4	BLUE	BLUE
	5	WHITE/BLUE	WHITE/BLUE
	6	GREEN	ORANGE
	7	WHITE/BROWN	WHITE/BROWN
	8	BROWN	BROWN

DRAWN BY Kihai Lee						
APPROVED BY Kevin Wu						
UNIT: mm [inch] TOLERANCES:		PART NO. 3013AHQ6XX	VER. 1			
-20	-50	-150	150-	ANGLE	CUSTOMER P/N.	
±0.2	±0.4	±0.5	±1.5	±2°		
3rd Angle Projection				DATE 2019.10.14	SCALE X	SHEET 1/1

2		
1	First edition	2013.10.02
REV.	DESCRIPTION	DATE