



Product Feature

Applicable Fibers:All fibre types

Cutting angle:less than 0.8

Fibre Count:Single to 12-ribbon fibre

Clad Diameter:125um

Coating Diameter:Single Fibre: 250 ~ 900um

Ribbon Fibre:280 ~ 400um (thickness)

Cleave Length Single Fibre:8-20mm

Ribbon Fibre:Fixed length 10mm

Blade Life36,000 fibres (2000 fibres x 16 positions)

Dimensions (mm):59W x 60D x 51H

Weight :300g

S09

FIBER CLEAVER

High precision optical fiber cutting tool, combined with all energy fixture for single core fiber (250um, 900um, 3.0mm, indoor cable) and 2-12 core ribbon fiber

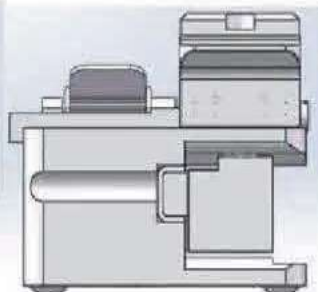
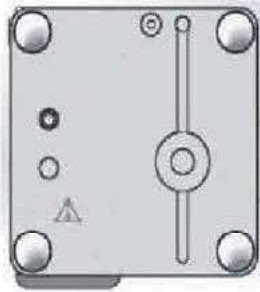
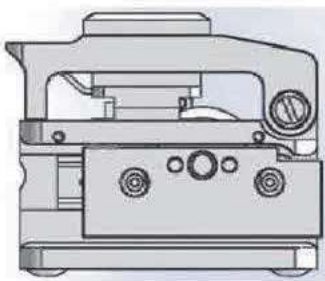
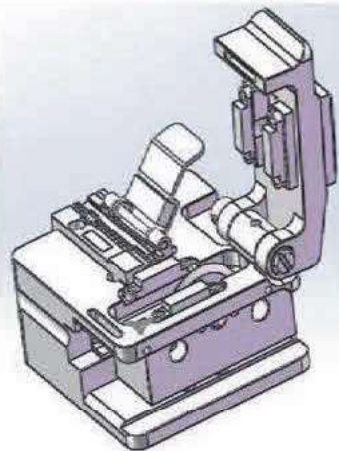
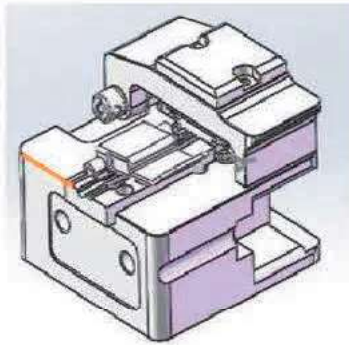
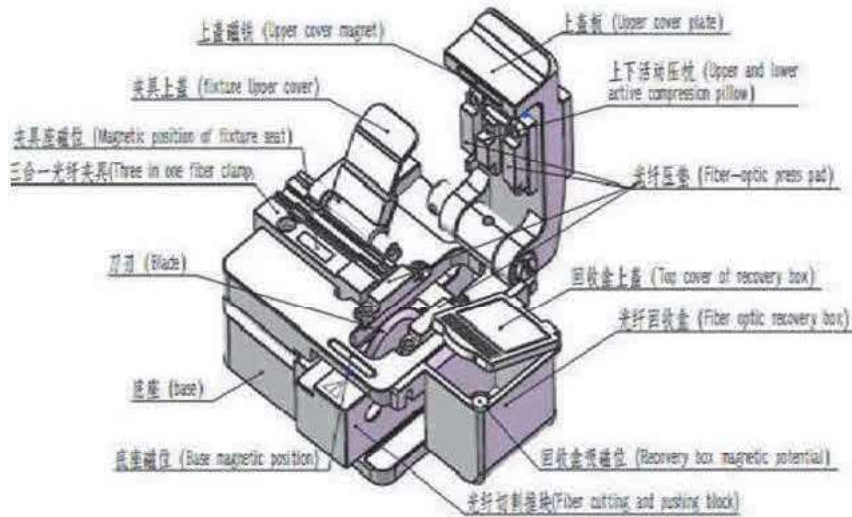
HIGH PRECISION OPTICAL FIBER CUTTING TOOL, COMBINED WITH ALL ENERGY FIXTURE FOR SINGLE CORE FIBER (250UM, 900UM, 3.0MM, INDOOR CABLE) AND 2-12 CORE RIBBON FIBER



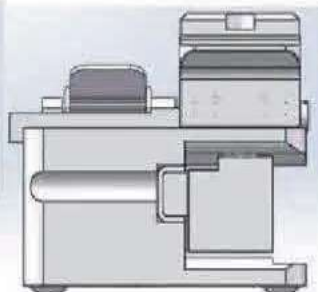
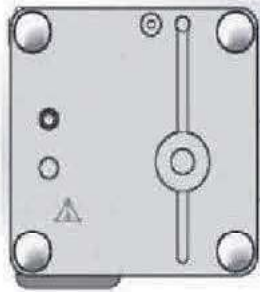
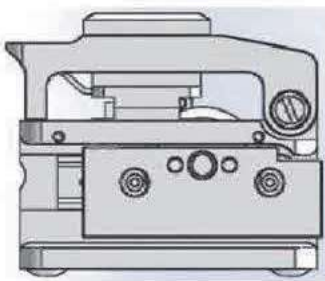
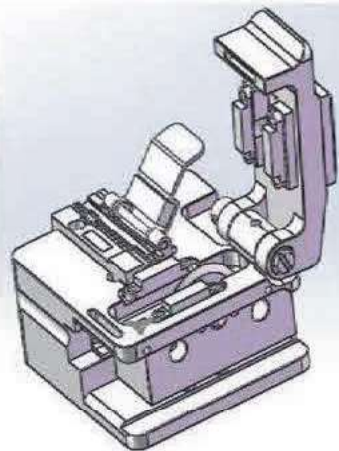
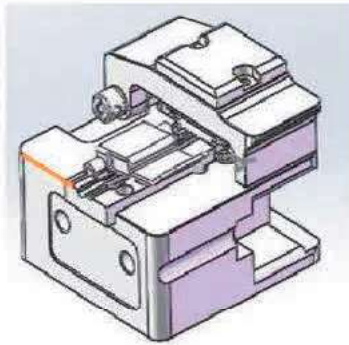
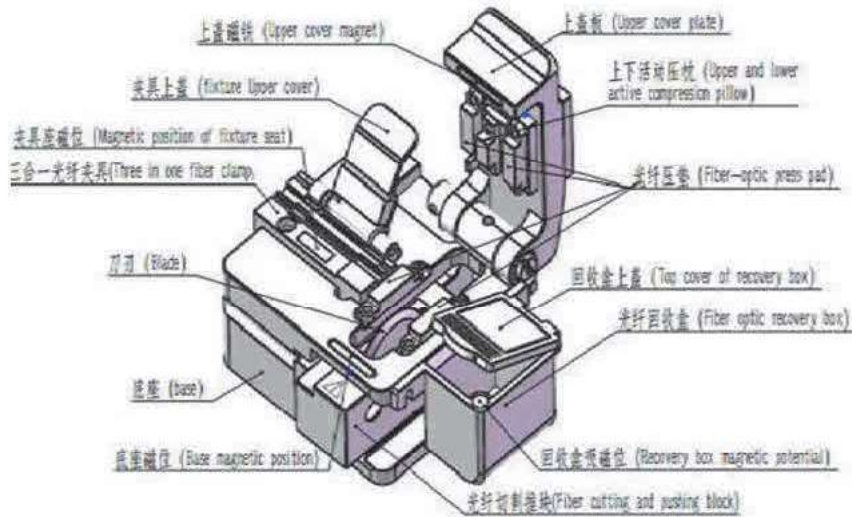
AVERAGE CUTTING ANGLE IS LESS THAN 0.8 DEGREES



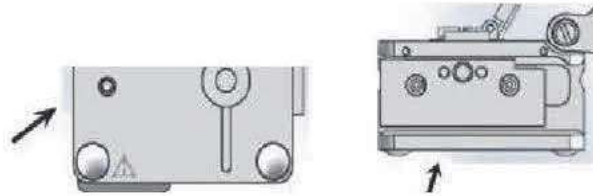
PRODUCT STRUCTURE



PRODUCT STRUCTURE



BLADE HIGH ADJUSTMENT METHOD



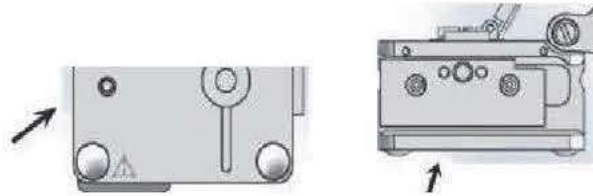
Blade fixed screw

High and low locking screw

1. If the cutting knife with a fiber collecting box, need to take off the box.
2. Unscrewing the 2 fixed screws and screwing the screws on the fixed blade.
3. The automatic pencil core or wooden rod is placed on the optical fiber clamp block, and the edge is moved before and after the edge and the edge is rotated to adjust the screw. The height of the edge of the blade and the height of a lead or a wooden stick are at the point of reference (0um).



BLADE HIGH ADJUSTMENT METHOD



Blade fixed screw

High and low locking screw

1. If the cutting knife with a fiber collecting box, need to take off the box.
2. Unscrewing the 2 fixed screws and screwing the screws on the fixed blade.
3. The automatic pencil core or wooden rod is placed on the optical fiber clamp block, and the edge is moved before and after the edge and the edge is rotated to adjust the screw. The height of the edge of the blade and the height of a lead or a wooden stick are at the point of reference (0um).



TECHNICAL PARAMETER

technical parameter			
Model	S09(single core & ribbon Fiber Cleaver)		
Cladding diameter	125um		
Cutting length	Single core fiber: 8-20mm/Banded fiber: 10mm		
Applied optical fiber cable	Single core fiber: 250um,900um,3.0mm,Indoor cable/Banded fiber: 2-12 core ribbon cable		
Average cutting angle	Less than 0.8 degrees		
blade Life	Cut 1000 times a day, 3 times of adjustable height, a total of 16, total life 36000 times		
Operation steps	The 3 step		
Reposition function	Manual reduction of blade		
Optical fiber clamp	Single core fiber: Universal fiber clamp / ribbon fiber: replaceable banded fiber clamp		
Size and weight	Packaging and configuration		
 <p>59(W)*60(D)*51(H)mm Weight: about 0.65 pounds (300g)</p>		Fiber Cleaver	1PCS
		Blade specification	22*4*2(16Noodlesblade)
		Certificate	1PCS
		An instruction manual	1PCS
		1.5 six angle wrench	1PCS
		Fiber optic recovery box	1PCS
		Packing box	1PCS
		Additional configuration	
		Optical fiber clamp	FH-S0C(Hot-melt head)
			FH-12R(Ribbon12core)

High-precision Fiber Cleaver (compatible Full series Fiber optic cladding machine)

Easy to operate - in the hands or on the desktop, left and right hands can be It is convenient to put fiber, and the blade is reset manually after cutting, which greatly improves the working efficiency.

Ingenious design of the press foot to prevent the two back of the knife to cause fiber damage Magnesium alloy material is made of high strength, small volume, light weight and beautiful appearance.

